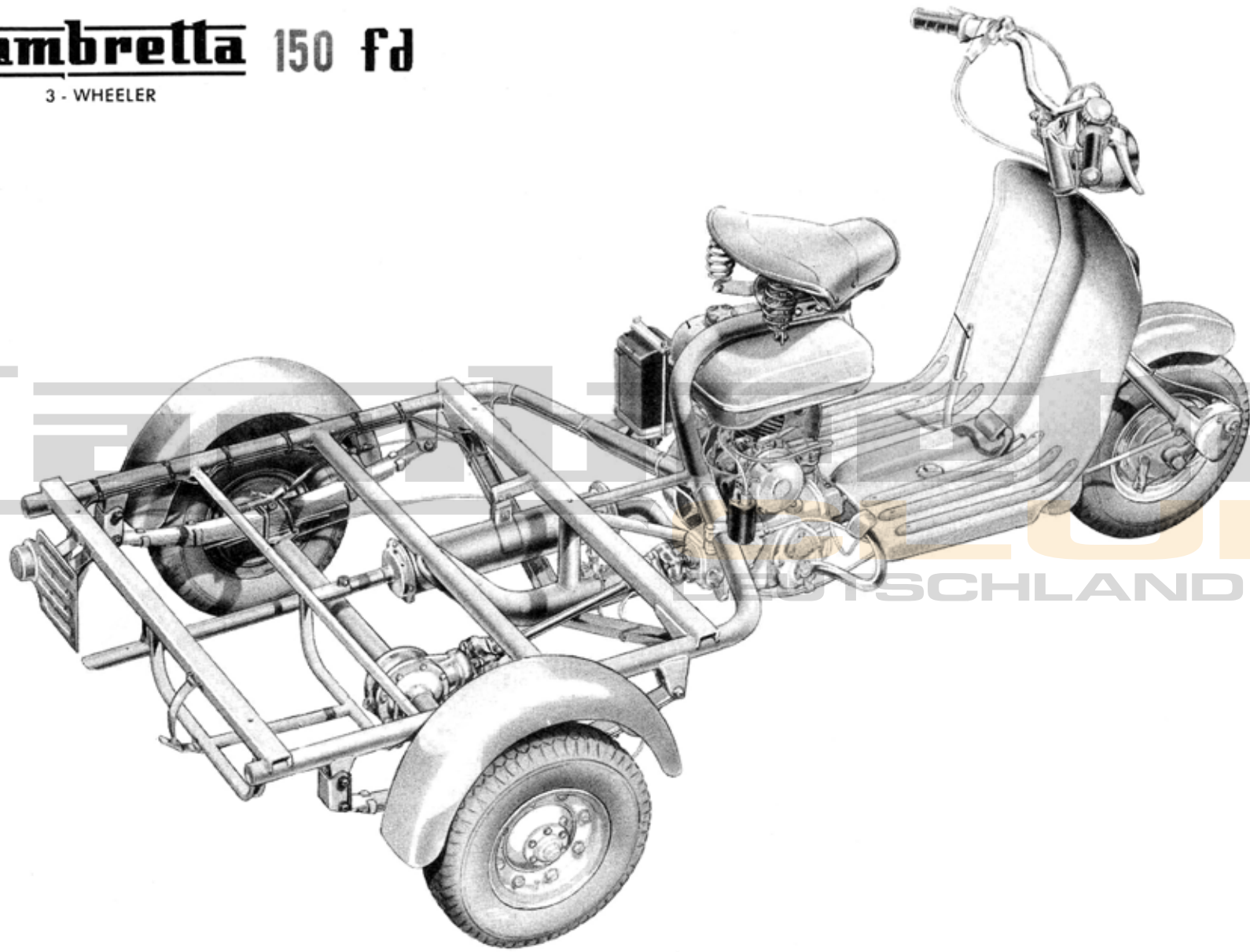
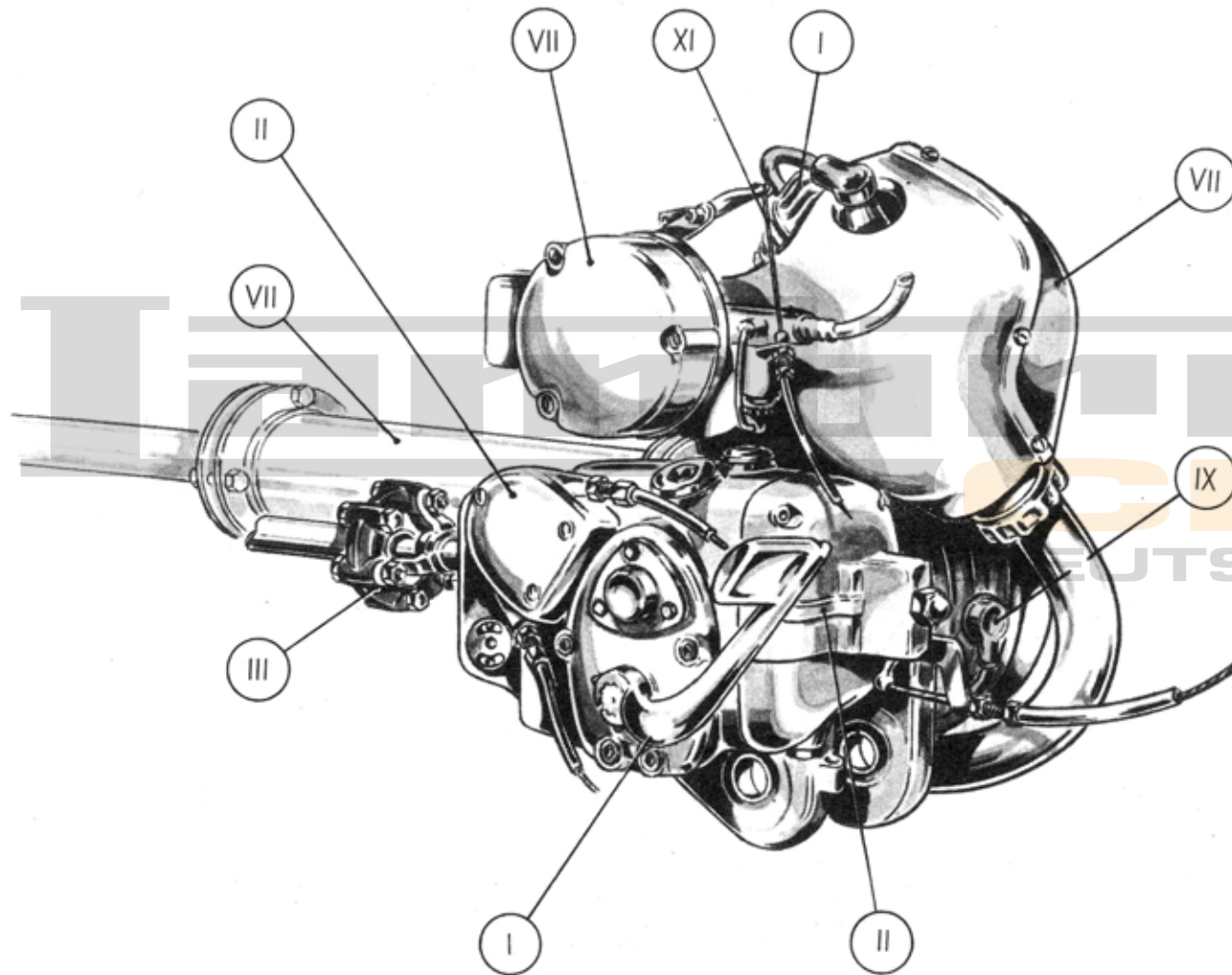


Lambretta 150 fd

3 - WHEELER



ENGINE ASSEMBLY



- I Cylinder, crankcase, crankshaft, engine mounting and kick starter
- II Clutch and gearbox
- III Transmission
- IV Frame, footboard, rear mudguard and rear suspension
- V Fork with mudguard, front suspension, handlebar with twist-grips
- VI Hydraulic brake control
- VII Fuel tank, fan cowling, carburettor, muffler
- VIII Wheels with brakes
- IX Flywheel magneto, battery, supports
- X Electrical equipment, police plate carrier, saddle, accessories
- XI Controls for throttle, gearbox, parking brake, front brake

